

## CASE STUDY

*"We are a long-time customer of Wallace McDowall and remain consistently impressed by their quality and cost effectiveness. We value their range of services and that the team is supportive and offers solutions."*

Procurement Team

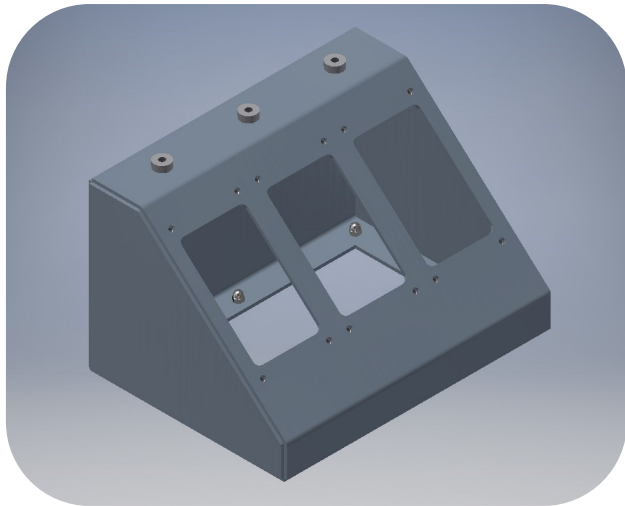
### THE SCOPE

WITH OVER 100 YEARS OF ENGINEERING EXPERIENCE, ALLENWEST DESIGN & MANUFACTURE SWITCHGEAR, TRANSFORMERS & CONTROL GEAR ACROSS MANY INDUSTRIES INCLUDING MINING, TUNNEL/RAIL, RENEWABLES, COMMERCIAL & PETROCHEMICAL TO NAME A FEW.



### THE CHALLENGE

AS A CUSTOMER OF WMcD, ALLENWEST WERE ABLE TO TAKE ADVANTAGE OF SOME OF OUR VALUE ADDED SERVICES. THE WMcD TECHNICAL & DESIGN TEAM WORKED TOGETHER WITH ALLENWEST TO PROVIDE A SOLUTION TO REDUCE THE NUMBER OF PIECE PARTS IN AN ASSEMBLY DRAWING OF A UNIT .



### THE RESULTS

BY FORMING AS MUCH OF THE MATERIAL AS POSSIBLE AND ADDING FOLDED FLANGES TO A UNIT WE WERE ABLE TO MAKE THE PROCESS & PRODUCTION MORE EFFICIENT BY REDUCING THE AMOUNT OF WELD TIME REQUIRED. WMcD WERE ABLE TO PASS ON SIGNIFICANT COST SAVINGS TO OUR CUSTOMER AS WELL AS REDUCING LEADTIMES WITHOUT EFFECTING THE HIGH QUALITY FINISHED PRODUCT THEY REQUIRED.

